

STEINER

LOW PRO SP20

**2.0 Tonne, 2 Post
2 Level Parking Lift**



2 CAR PARKING LIFT

Ideal for:

Low ceilings – the Low Pro has a special compact tilt design for ceiling height as low as 2700mm depending on the car and can fit in narrow widths as small as 2480mm. A perfect choice for under building parking, residential and locations with a height restriction.

Features:

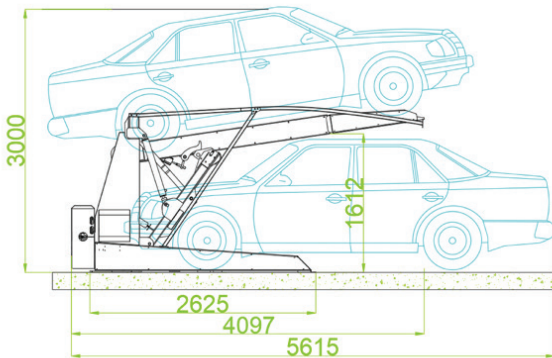
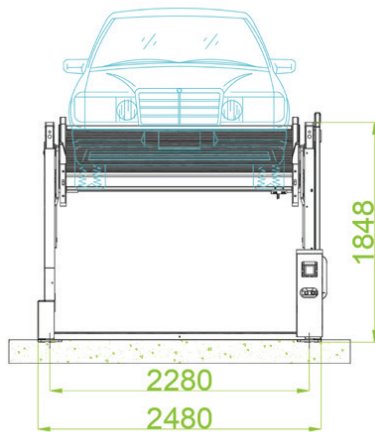
- › Tilting design
- › Faster lifting speed than other 2-post lifts
- › 100% laser cutting process for all parts and the entire structure
- › Preamsembled parts for easy installation
- › Effortless disassembly and relocation
- › Safety key switch controller
- › Hydraulic overload protection
- › Anti-rust smooth powder coating finish
- › Enhanced anti-corrosion galvanized center plates
- › Optional remote control
- › Customizable colors
- › Suitable for low ceiling heights and narrow spaces
- › 12-month warranty



If you are not 100% satisfied with your equipment, Treadway Equipped will repair, replace or refund the equipment free of charge within the first 100 days.

LOW PRO SP20

2.0 Tonne, 2 Post 2 Level Parking Lift



Safety System

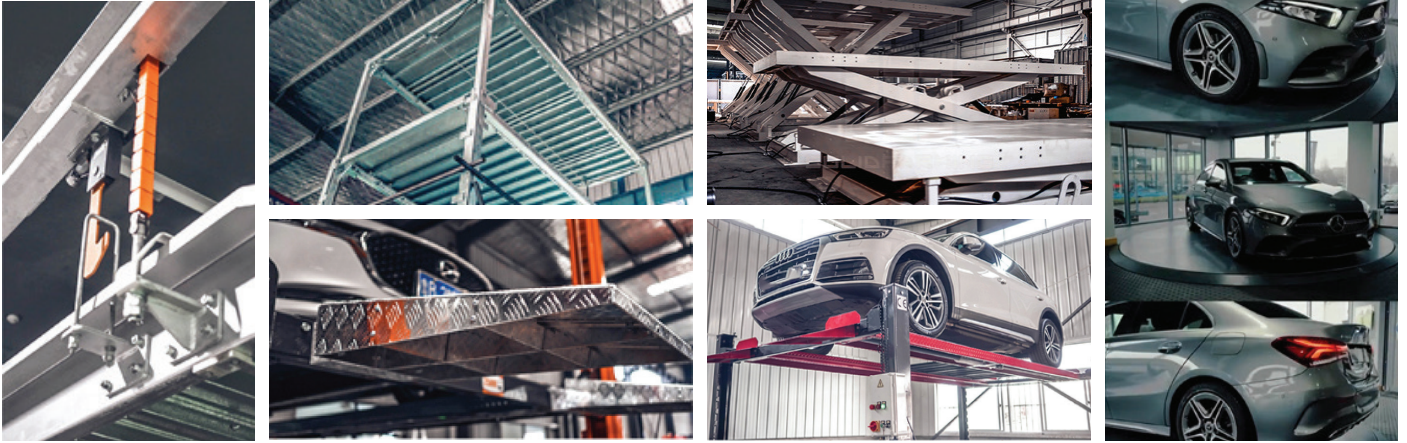
- › Anti-Fall Hooks
- › Limit Switches
- › Emergency Stop Button
- › Photocell Sensor

SPECIFICATIONS

Lifting Capacity	2,000 kg
Vehicle Height	1,550/1,650/1,750 mm
Vehicle Width	1,850 mm
Vehicle Length	5,000 mm
Control Box	Integrated Modules for Simple Wiring
Power Unit	2.2 kW Hydraulic
Electrical Requirements	Voltage: 1-phase
Control Power	24V
Parking Time	45-55 Seconds

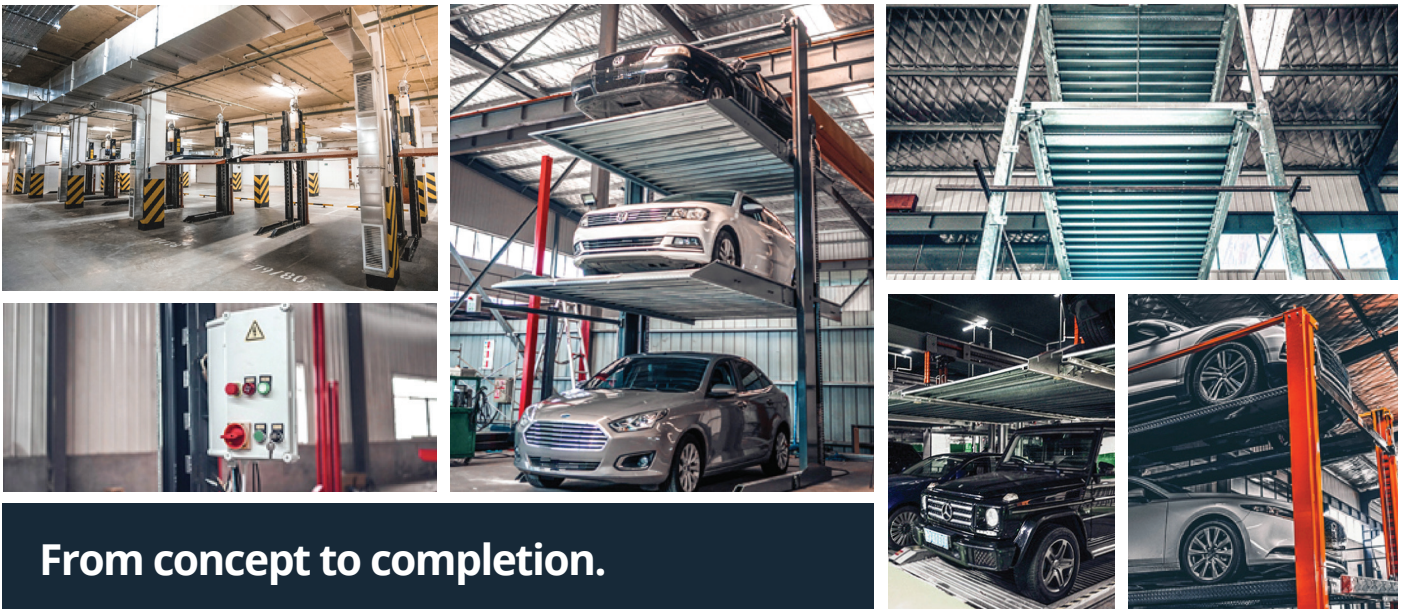


PARKING SYSTEMS



STEINER PARKING SYSTEMS

Treadway Equipped are transforming the way New Zealanders park to maximise valuable real estate.



From concept to completion.



OUR PROMISE:

100

ONE HUNDRED DAYS
100% SATISFACTION

If you are not 100% satisfied with your equipment, Treadway Equipped will repair, replace or refund the equipment free of charge within the first 100 days.

0800 436 436
treadwayequipped.co.nz